



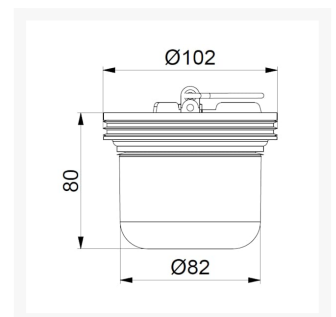
Independent 4 Life

# Purus Flexi-NOOD Water Trap for Purus' Mini Brage 110 Floor Gullies

£58.49 Inc. VAT

Product Code: 7138414-110

## Product Images



## Description

The Purus Flexi-NOOD water trap for the Purus' Mini Brage 110 floor gully is great for maintaining infection control and preventing foul odours with the mechanical spring-loaded bowl closing when there is no water supply.

Comes with a steel wire handle and is easily removable from the outlet gully for cleaning and maintenance.

For use with the Mini Brage 110 (7113538UK).

**Technical details:**

- Mechanical odour prevention
- Withstands dehydration
- Closes when there is no water flow
- Suitable for environments with non-existent or little water supply for a longer
- Removable for ease of cleaning and maintenance
- Steel wire handle
- Collar stops the trap falling through the 110mm pipe
- Colour: White
- Material: PP (Polypropylene)
- Outlet diameter (mm): Ø130
- Length (mm): Ø82
- Overall length (mm): Ø102
- Height (mm): 80

**Compatible with Product Codes:**

- 7113538UK

## Additional Information

---

Manufacturer	Purus
Waste Diameter (mm)	130
Grate Material / Finish	Plastic / White