



**ALWAYS** read the installation instructions before installing this product.



**ALWAYS** read the installation and end user care instructions.



**ALWAYS** match the correct waste to the shower base.

**ALWAYS** have the waste installed by a trained and experienced skilled craftsman.



**NEVER** use the waste without the unit fully assembled.



**BEWARE** A child finger trap may be present during the handling or use of this product.

**ALWAYS** Keep fingers clear of the gaps between the cover, and the locking ring.



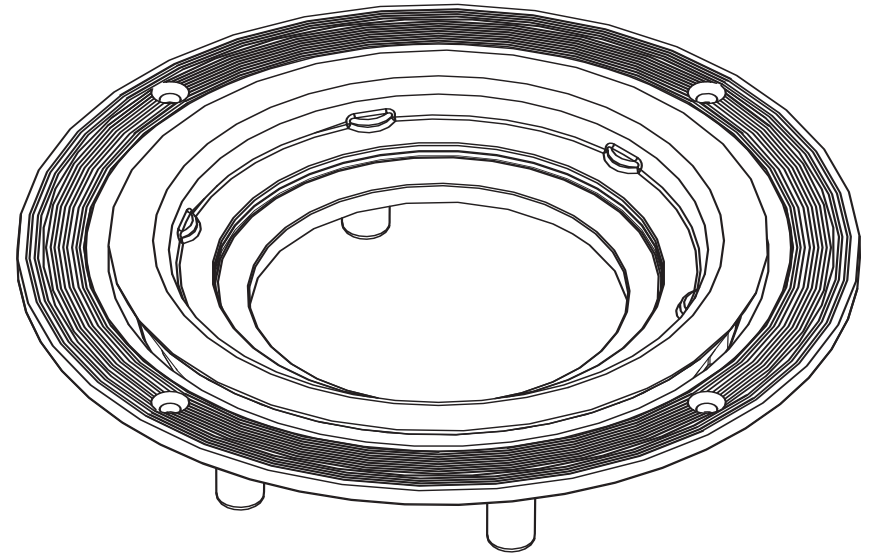
**DO NOT** place matches or cigarettes on or near this product.  
The following plastic materials are used in this product :Acrylonitrile Butadiene Styrene (ABS)



**AKW** MediCare  
PARTNERS IN CARE



## **Tuff Form® GW90 Waste Adaptor** **Installation and user care instructions**



**Wet Floor Former, Waste Hole Reducer**

Colour: White

Internal Building use only

**Installer: Please ensure that this information is left with the end user of this product.**

For full waste specifications see the current AKW MediCare catalogue.

**For further details on this and other AKW products please contact your distributor - see details on outer packaging**

The measurements throughout these installation and user care instructions have been converted from metric to its equivalent in imperial, therefore all dimensions are approximate and subject to manufacturing tolerances. AKW MediCare does not make any warranty, expressed or implied, or accept any liability in connection with this information or its use. This information is furnished upon the condition that the person receiving it shall make his/her own tests to determine the suitability thereof for his/her particular purpose.

## Installation Instructions

Follow the instructions provided with the gravity waste.

As a "dry run" first place the wet floor former into the desired location and determine the position and depth of clearance required to position the waste trap.

Before installing the TFWA check the wet-floor area slopes correctly towards the waste and the waste outlet pipe slopes down and away from the waste position by approximately 25mm per metre run (1 in 40).

Ensure the waste trap has the correct seals in place; place the TFWA dish over the waste position;

Fit any remaining waste trap seals, top locking and / or retaining ring(s) in place;

Screw these parts together tightly to achieve a waterproof joint between the waste and the TFWA;

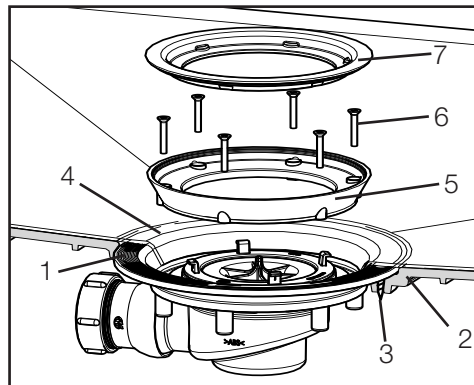
Finally fasten down the TFWA (1) to the wet floor former (2) using Qty 4 countersunk head screws (3). Ensure the heads are flush and do not protrude or they may damage the wet floor covering.

Ensure the former and waste are correctly supported from below.

Install the wet-floor covering (4) ensuring all of the manufacturer's instructions are followed.

Trim the wet-floor covering to fit the TFWA opening and align and fit the clamp ring (5) with qty 6 M4 stainless steel screws (6).

Position the cover (7) over the assembly and snap into place.



## User Care Instructions

The TFWA is designed for low maintenance and reliable operation.

As part of a regular maintenance programme check and clean the waste trap located inside the TFWA by the installer.

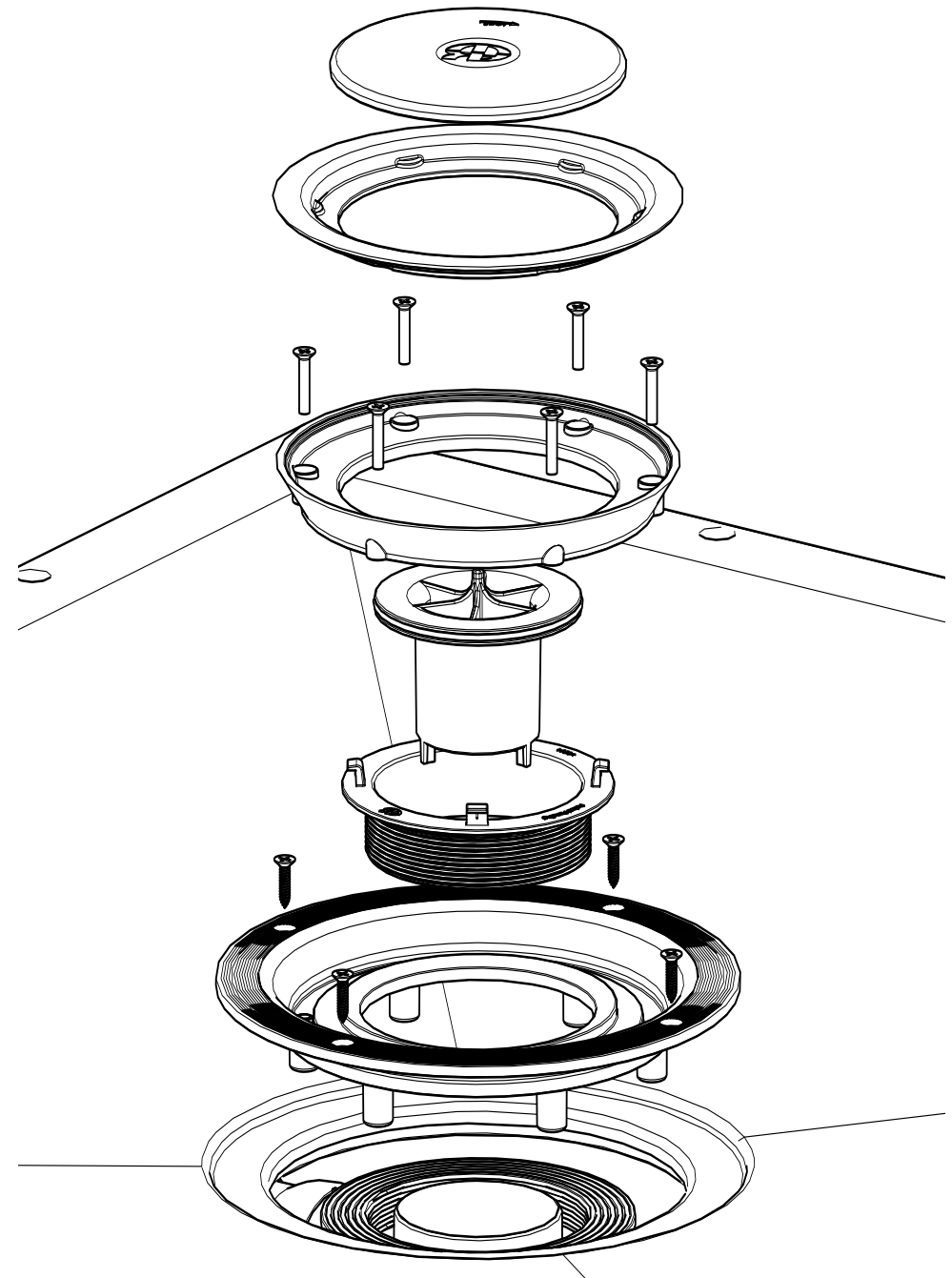
Follow the cleaning instructions provided with the waste trap fitted into this TFWA.

Clean these parts, removing hair or other waste material, using warm soapy water. Also flush and wash down the inner body of the trap in the floor using warm soapy water or normal domestic bathroom cleaning materials.

Do not use strong or concentrated cleaning materials, or concentrated acidic or alkaline cleaning compounds.

Flush clear of all residues using clean water.

Reassemble to trap according to the instructions provided by the installer for the waste trap installed.



**Exploded view of the Tuff-Form Waste Adapter**