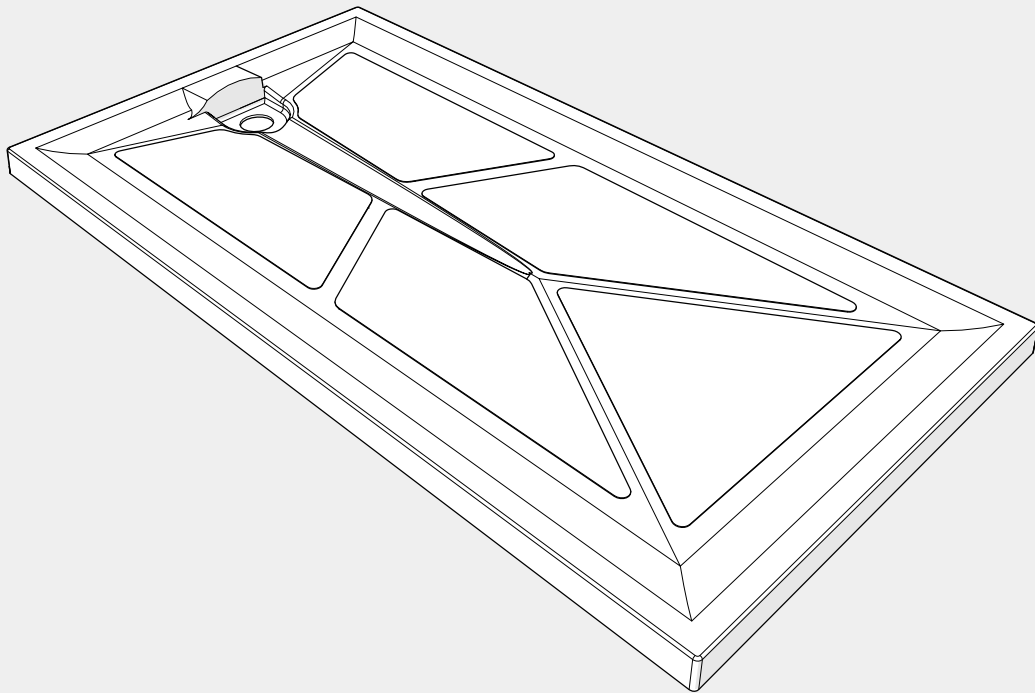


Braddan Shower Tray

INSTALLATION INSTRUCTIONS



Please read all instructions before installation and leave this document with the end user for future reference as it contains important warranty information

Installation must be carried out in accordance with these instructions, and must be conducted by a qualified and competent installer.

Before you start

Remove all protective covering and examine carefully. Check that all items are present before discarding packaging. Notify the retailer immediately of any damage or faults. The manufacturer cannot be held responsible for any installation costs that may arise from damaged or faulty products being installed and not in accordance with these instructions. Dispose of all packaging in accordance with the local recycling authorities.

Safety

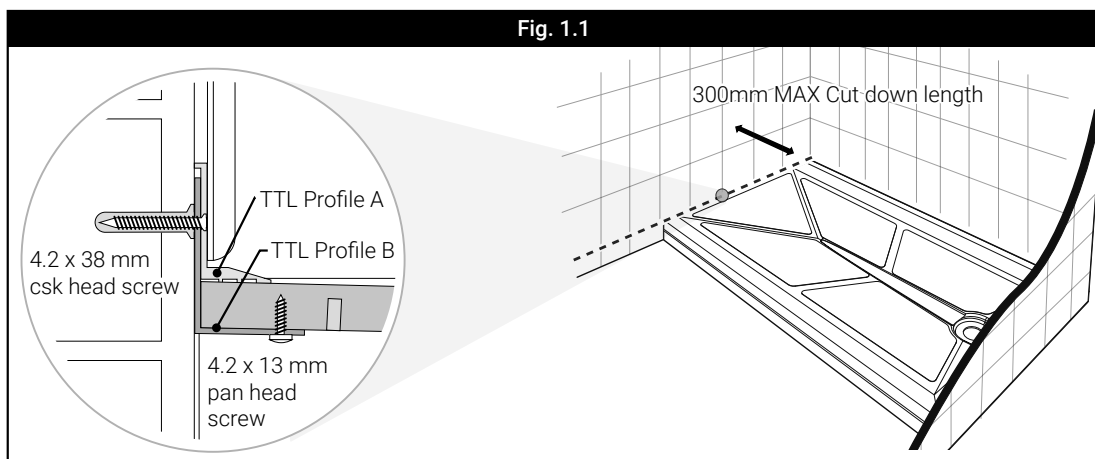
- Handle this product with care as this product is heavy and may require two people to carry.
- Have the correct tools available and suitable parts to complete the installation.
- When drilling walls or floors, check first for hidden pipes and cables.
- Use safety eye wear when drilling and cutting.

Determine the installation type and waste arrangement suitable for your installation. Braddan trays can be installed onto or into either wooden or solid floors.

1. Trim to length kits for 1800 mm tray for alcove installations

1800 mm long trays can be trimmed up to 300 mm at the opposite end to the waste. Cut trays are only suitable for 1500 mm alcove installations and are supplied with a TTL (Trim To Length).

Measure the distance between the walls and allow for the thickness of TTL profile B. See Fig. 1.1. Using a fine-toothed blade, cut the tray in a direction which does not chip the top face of the tray. Cut both TTL profiles to the correct size. Apply an adhesive to the underside of the tray and screw the TTL profile B to the underside of the tray using 4.2 x 13 mm pan head screws, ensuring that there is no gap between the cut face of the tray and the profile.



After the floor and waste installation is complete and the trimmed tray is ready to be fixed down, use profile A to fix the cut end of the tray to the wall. Push profile A up against profile B and drill 4.5 mm holes through both TTL profiles (A&B) using the V groove as a guide. Drill into the wall and insert the wall plugs. Apply silicone sealant to the underside of profile A, and then press onto the tray against profile B. Reposition the tray tight against the wall and fasten TTL profiles to the wall using 4.2 x 38 mm countersunk screws (Fig. 1.1).

2. Tiling Upstand

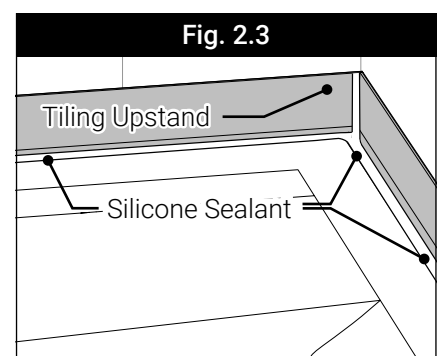
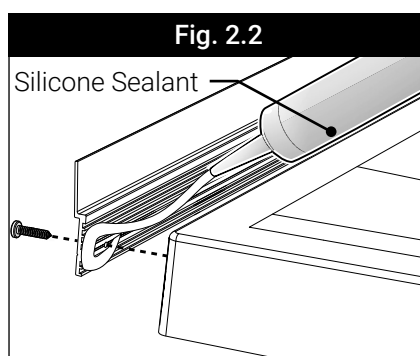
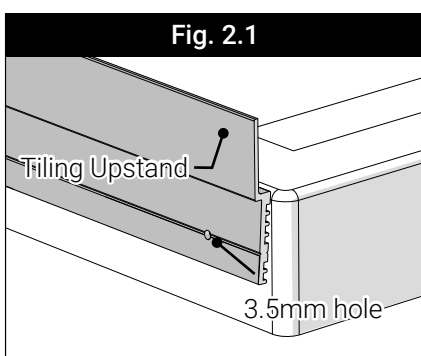
Tiling upstands are designed to ensure a watertight seal between the tray and tiles. Install the upstands to the tray before installing the tray into position.

Note: an area of the tiling upstand and tray may need to be cut away in order to accommodate the waste pipe routing, read the separate waste installation. Cut the sections out before fixing the tiling upstand to the tray.

Place the tiling upstand against the tray (see Fig. 2.1). The small flat area of the upstand should be flush with the flat area around the edge of the tray.

Drill 3.5 mm holes through the upstand and into the tray using the V groove as a guide.

Apply silicone sealant along the upstand edges and on and radius in the corner (see Fig. 2.2). Screw the upstand to the tray using 4.2 x 20 mm pan head screws. For corner installations fix the other upstand and ensure they meet tightly in the corner and are level. (see Fig 2.3). Only when the shower tray is in its final position then can the tiling upstands can be secured to the wall surface using suitable fixings.



3. Tray installation options

3.1. Option 1 - Recessed for level access into concrete floors

Position the shower tray over the desired location for the shower area. Mark around the edge of the tray and mark the centre of the waste outlet. Remove the tray.

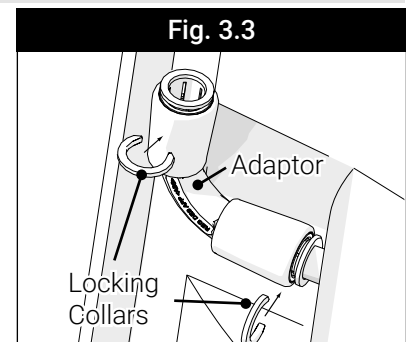
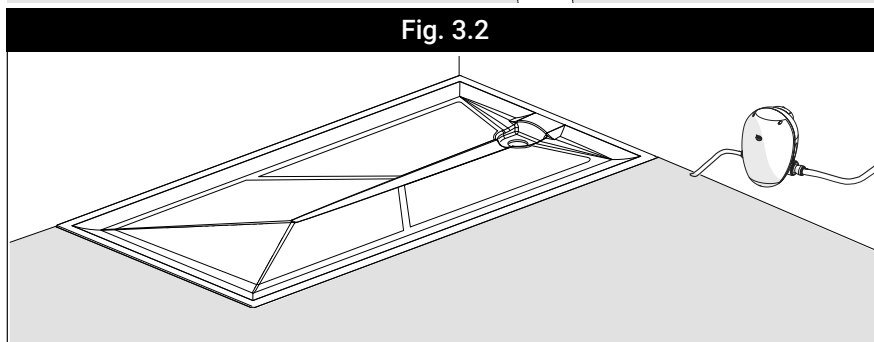
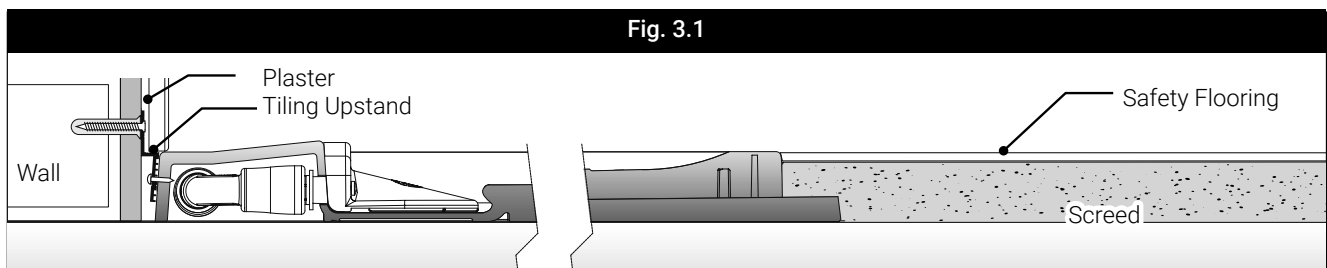
Cut out the marked flooring area using a suitable cutting disc taking care not to cut through any pipework or electrical wiring which may be hidden below and remove the floor material.

The depth of the recess should result in the top of the tray being flush with the finished floor once the tiles or safety flooring has been put down.

Depending on the waste option, more floor material may need to be removed to route the waste outlet and pipework. Cut out the waste area and remove the solid floor material. The depth of the recess should result in the top of the tray being flush with the finished floor once the tiles or safety flooring has been put down.

Trays that use a pumped waste have a part that covers the water collection pool. Trays that use a gravity waste have a hole where the waste will go. If using a pumped waste, determine the waste pipe routing and then cut a hole in the side of the tray to route the waste pipe through. Attach the waste pipe adaptor (Fig. 3.3) and waste pipe to the waste, then insert the locking collars to lock in place. If using a gravity waste, attach the waste pipe to the waste.

The shower tray needs to be supported on all four edges and at least 50% of the underside. Sand and cement mix may be used to create a sub-screed 30 mm (1 3/16") lower than the finished floor height to set the tray onto. Ensure that the prepared recess is smooth and level in all directions. Lower the tray and check the tiling upstand edge is level before this mix sets. Secure the tiling upstands to the wall with suitable fixings around the edge of the shower tray in at least 4 positions. Apply weight to the centre of the edges of the shower tray if required. Sand and cement mix may then be applied liberally to the sub screed areas around the shower tray to firmly hold into position and leave to set.



3.2. Option 2 - Semi-recessed into wooden floors

Position the shower tray over the desired location for the shower and mark around the edges. Remove the tray and cut out the flooring area within the marked area taking care not to cut through any supporting joists or electrical wiring which may be below the floor boards.

Depending on the thickness of the floor boards the tray will protrude above the floor by approx. 18mm so additional plywood would need to be used to allow level access unless ramps are being used.

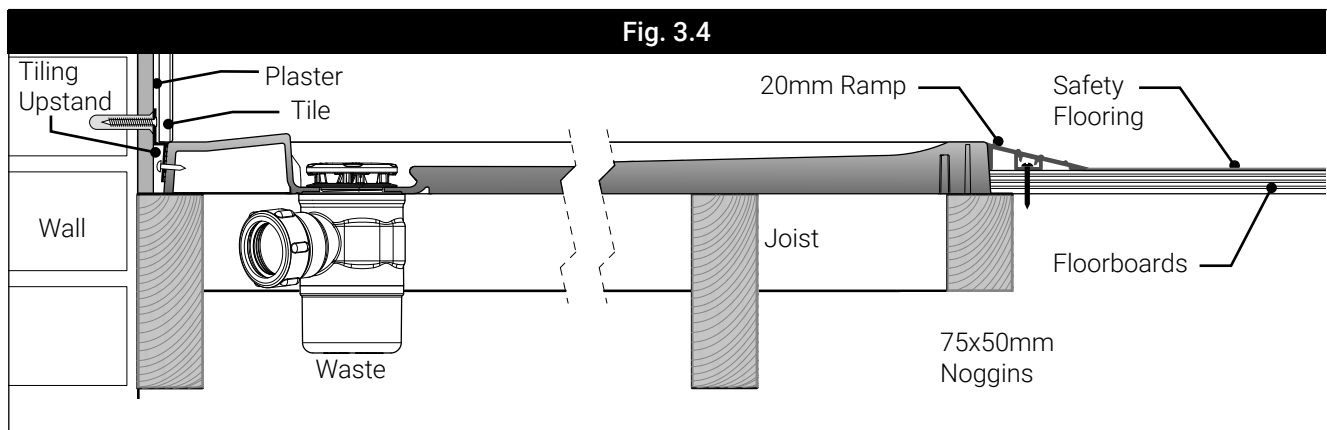
Install additional noggins 75 mm x 50 mm (3"x 2") between the joists, around the waste area and to all edges of the cut-out area to provide additional support. Route the waste to the waste outlet pipe through the joists. Do not cut the joists, these should be drilled and not notched.

Fit the waste outlet to the tray and the pipework to waste outlet. Ensure that all connections of the pipework are watertight before proceeding to fix the waste to shower tray. See separate waste instructions.

Remove any sawdust and other installation rubbish.

Place the tray into floor recess ensuring that the tray edges are tight up to edges of the cut floorboard. Drill through the tiling upstands in at least 4 positions around the edge of the shower tray and then remove the tray to install wall plugs.

When the shower tray is fully supported and level with the surrounding floor, apply an adhesive to the tray edges to fix the shower tray down onto the joists and noggins. Secure the tiling upstands to the wall with CSK head stainless steel screws (not supplied). Re-check the tray is level and test the water drainage efficiency. Apply silicone sealant to tiling upstand before tiling the bottom row of tiles. Safety floor covering should finish flush to and be level with the ramp edge as shown (See Fig. 3.4).



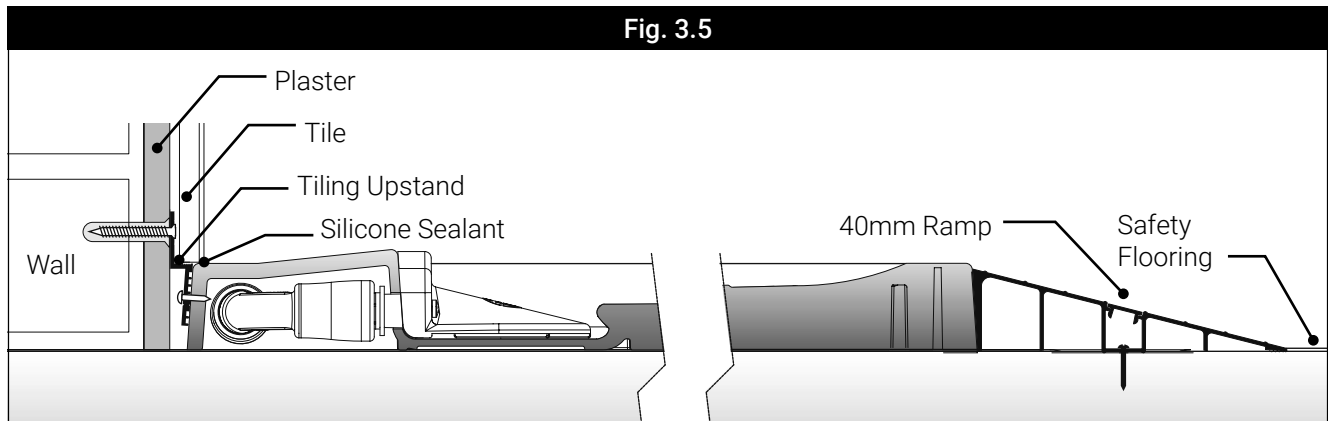
3.3. Option 3 - Surfaced mounted

Place the tray onto the floor in the desired position, tight against the unfinished wall surface. Check to see that the tray is level in all directions. Perform any levelling corrections to the floor showering area if required.

Drill through the tiling upstands in at least 4 positions around the edge of the shower tray and then remove the tray to install the wall plugs.

Fit the waste outlet to the tray and the pipework to waste outlet. If using a pumped waste, determine the waste pipe routing and then cut a hole in the side of the tray to route the waste pipe through. Attach the waste pipe adapter (Fig. 3.3) and waste pipe, then press the locking collars into place. Ensure that all connections of the pipework are watertight before proceeding to fix the waste to shower tray. See separate waste instructions.

Apply an adhesive to the tray edges and place the tray into its final position. Secure the tiling upstands to the wall with CSK head stainless steel screws (not supplied). Apply silicone sealant between the upstands at the tray's corner(s), around the tray and to the tiling upstand before tiling the bottom row of tiles. Re-check the tray is level and test the water drainage efficiency. Safety floor covering should finish flush to and be level with the ramp edge as shown (See Fig. 3.5).

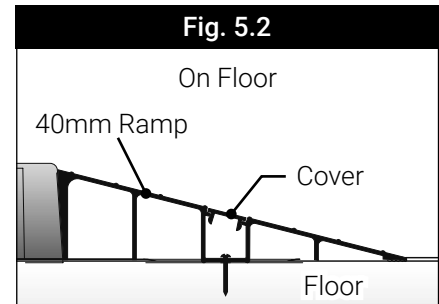
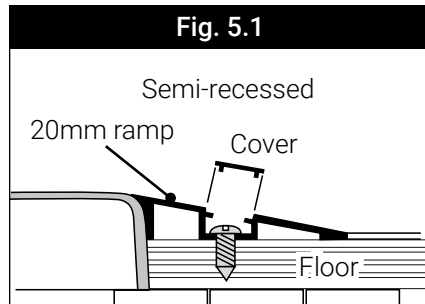


When using a 40mm (1 1/2") ramp, install safety flooring up to and level with the ramp edge. If not installing a 40mm (1 1/2") ramp, install safety flooring or tiles up to tray edge. See ramp installation.

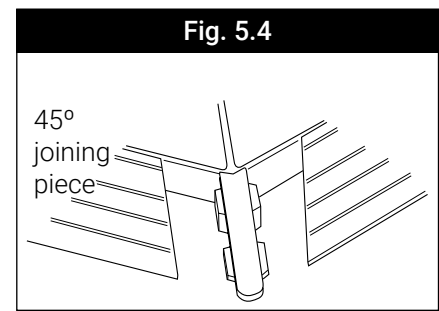
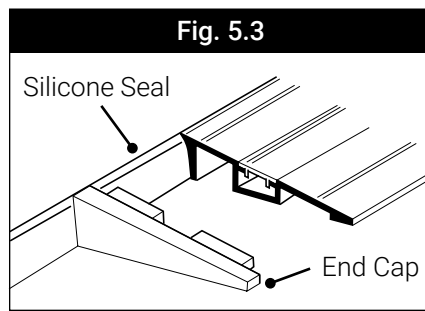
Due to the very wide variability of possible installation conditions AKW cannot provide all circumstances for the installation. AKW cannot accept any liability in connection with this information or its use. This information is provided on the condition that the person receiving it shall make their own tests to determine the suitability for their particular purpose. Failure to install this AKW product in accordance with supplied instructions or the making of unauthorised modifications will invalidate any warranty and may affect product safety. None of the foregoing affects your statutory rights.

4. Ramps

Cut the ramp to size if necessary. Place the ramp on the floor up against the tray. Drill holes into the floor through the channel in the ramp.



Remove the ramp and insert suitable fixings into the floor. Open the holes in the ramp out to clearance holes.



Apply silicone sealant to the face of the ramp that contacts the tray. Replace the ramp and screw down.

Insert the snap-in cover into the screw channel. Apply silicone sealant to the end caps and corner joining piece (if present), then insert them.

After Care

Provided that the shower tray has been correctly installed, difficulties should not be encountered. If any maintenance is required, it must be carried out by a competent installer.

It is advised that this product is cleaned regularly as part of a routine maintenance regime.

Always rinse the shower tray down using warm water after every wash to remove any insoluble products. If you use hair dye, immediately rinse the shower tray with soap and water.

For routine cleaning, use hot soapy water or a mild detergent and a soft cloth to wash and rinse the showering area. Never use abrasive cloths or any aggressive cleaning materials to clean the showering area. Do not use industrial cleaners that have abrasive or harsh chemical properties as this could affect the surface finish.

The surface of this shower tray should never directly come into contact with strong industrial acids or alkalis, organic solvents, caustic soda, lacquers or nail polishes, bleaches or any dry powder cleaning agents. Do not use paint strippers or stain removers to remove any stubborn staining. If more thorough cleaning is needed using domestic cleaning products always test on a small area first.

Contact Us

AKW
Life Made Better

Orders & Quotes

01905 823 299
orders@akw-ltd.co.uk

General Enquiries

01905 823 298
sales@akw-ltd.co.uk

Technical Enquiries

01905 560 219
tech@akw-ltd.co.uk

Kitchen Enquiries

01905 823 262
kitchens@akw-ltd.co.uk

Fax

01905 823 297

AKW

Pointon Way, Hampton Lovett
Droitwich Spa, WR9 0LR

www.akw-ltd.co.uk
orders.akw-ltd.co.uk

Follow us on Social:



Warranty

Warranty applies only to manufacturing or material defects, conditional on the one-time correct installation of the product. It does not apply to:

- Inappropriate use or accidental damage.
- Damage or defects that result from incorrect installation.
- Lack of maintenance including the build up of grime or damage resulting from inappropriate cleaning.
- Damage or defects that result from repairs or modifications undertaken by unauthorised persons.
- General wear and tear through usage and does not apply to surface finishes.

Warranty period starts from the date of installation. See the T&Cs on our website for further information.

Select 1 of 2 ways to activate your warranty



1. Scan using your Smart Device



2. Visit Online

akw-ltd.co.uk/warranty-information

What to do if something goes wrong?

In the event that you encounter a problem with this product, follow the trouble shooting guide if applicable, then contact your local installer. If the issue is still unresolved, contact AKW Technical Enquiries who will provide further advice and arrange for a maintenance engineer to visit if necessary. None of the foregoing affects your statutory rights.